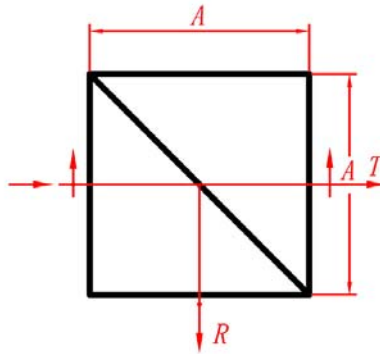


Non-polarization Beamsplitter Cube



Non-polarization Beamsplitter cube is consist of two right angle prisms,one of right angle prism's hypotenuse face has the non-polarization beamsplitter coating,the transmittance beam(or the reflecting beam) consist of about 50% P light and about 50% S light,it is very suitable for polaization sensitive receiver applications.

Specifications:

MaterialBK7

Dimension tolerance $\pm 0.2\text{mm}$

Flatness $\lambda/4$ @632.8nm

Surface quality.....60-40

Beam Deviation..... $< 3'$

Bevel.....Protective

Coatings:

①Non-polarization beamsplitter coating on one of hypotenuse faces, $T/R=50/50(\pm 5\%)$,
 $|R_s-R_p| < 5\%$,AOI 45° .

②V type anti-reflecting coating on other I/O surfaces, $R_{avg} < 0.5\%$,AOI 45° .

P/N	Size	λ
60401	10×10×10	532nm
60402	10×10×10	632.8nm
60403	15×15×15	532nm
60404	15×15×15	632.8nm
60405	25.4×25.4×25.4	532nm
60406	25.4×25.4×25.4	632.8nm

- Demension unit:mm
- Other sizes and coatings are available upon request.